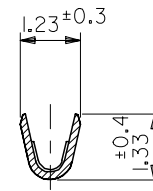
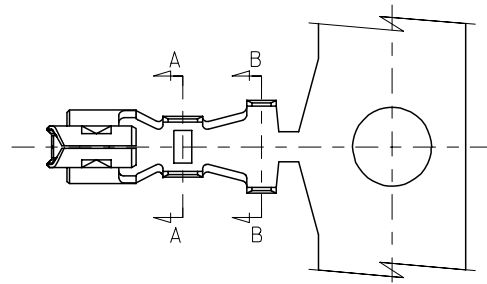
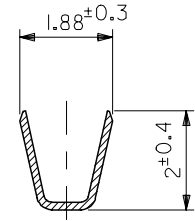


注記

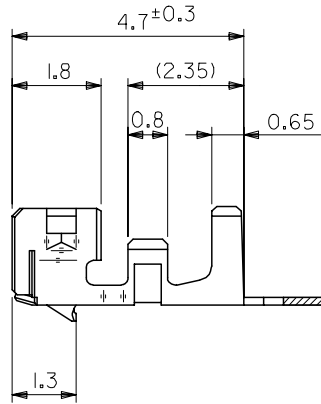
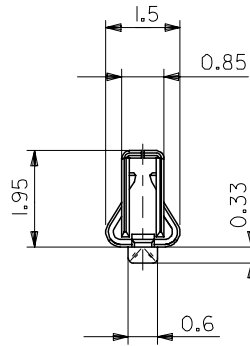
- 適用ハウジング: 51065-***00
 APPLICABLE HOUSING 51089-***05
 51090-***00
- 材質:
 MATERIAL
 リン青銅
 PHOSPHOR BRONZE
 錫メッキ
 PRE-TINNED
 $t=0.152$



SECT. A-A



SECT. B-B



50212-8100	バラ状
50212-8000	連鎖状
MATERIAL NO.	端子形状

REVISED EC NO: J2006-1104 DRW: NESUZUKI CHK: KYOYODA APPR: NUKITA	GENERAL TOLERANCES (UNLESS SPECIFIED)		DIMENSION STYLE MM ONLY		SCALE 10:1	DESIGN UNITS METRIC	THIRD ANGLE PROJECTION	
	10 UNDER	±0.2	DRAWN BY SAIHARA	DATE 89/09/21	TITLE NEW 2.0 WIRE TO BOARD CONN. CRIMP RECEPTACLE			
	10 OVER 30 UNDER	±0.25	CHECKED BY MFUKUSHIMA	DATE 92/01/31				
	30 OVER	±0.3	APPROVED BY MENOMOTO	DATE 92/01/31	MOLEX INCORPORATED			
	ANGULAR	±3 °	MATERIAL NO. SEE CHART					
DRAFT WHERE APPLICABLE MUST REMAIN WITHIN DIMENSIONS		SIZE A3	THIS DRAWING CONTAINS INFORMATION THAT IS PROPRIETARY TO MOLEX INCORPORATED AND SHOULD NOT BE USED WITHOUT WRITTEN PERMISSION					